

MILCOTS™ 20" LCD monitor / 4020UX

For Industrial and Sheltered Applications



4020UX model

Traffic control

Supervision

Geographic imaging

Mobile IT

Information

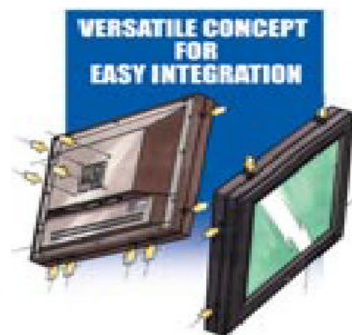
and Command System

Key points

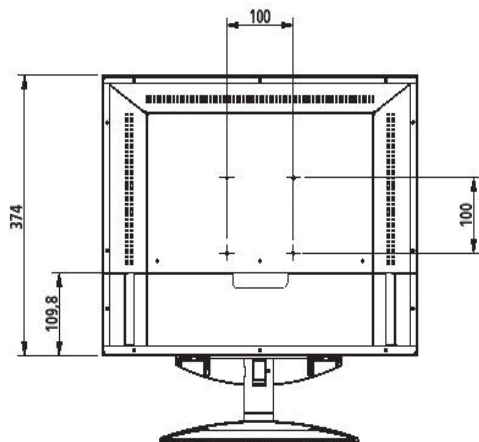
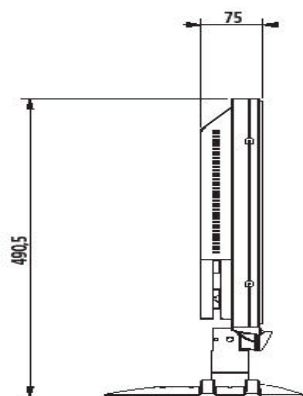
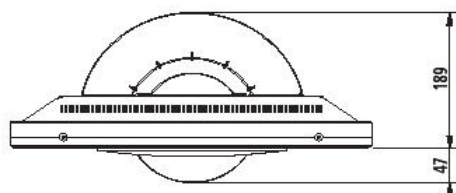
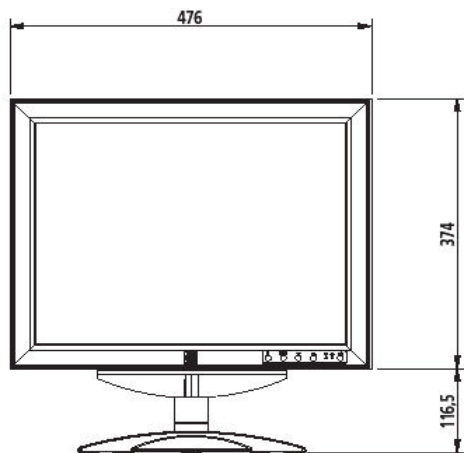
- Quality display (high contrast ratio)
- Lock / cancel OSD
- Remote control
- Adapted non-reflective coated glass, optical quality 92%
- Waterproof mounting
- Durable aluminum packaging (shock and vibration resistant)
- Typical product availability: 8 to 10 years

Options

- Fully waterproof
- Brightness tuning from 100 to 5% (dimming)
- Touch screen
- Adapted non-reflective coated glass
- EMC casing
- Custom colors



20" LCD monitor / 4020UX



Display module
 Resolution : 1600 x 1200
 Brightness : 250 cd/m²
 Contrast ratio : 600:1
 Dot pitch : 0.01" (.255 mm)
 Viewing angle : 170°/170°
 Response time : 20 msec
 Display color : 16.7 M
 Active display area : 16" x 12" (406 mm x 306 mm)

Input signals
 Connectors : DVI-I
 Analogic : RGB 0,7Vp-p / 75 Ohms
 Synchronisation : H/V separated (TTL) – composite – sync on green
 Synchronisation range : H : 30 KHz to 100 KHz - V : 50 Hz to 100 Hz
 TV input (C-VBS): additional Cinch connector
 TV input (S-VHS): additional Mini Din connector

Controls
 On Screen Display: waterproof front panel keyboard
 Remote control: 1 RS232 port

Physical Features
 Monitor dimensions : W: 18.75" (476 mm) x H: 14.74" (374 mm) x D:2.96" (75 mm)
 Monitor weight : 20.94 lbs (9.5 kg)
 Standard color: RAL 101 (black)
 Mechanical standard: VESA 100

Electrical Features (4020SX-1A model)
 Power supply : external 12 Vdc / 70W / 115-230 Vac, 50 - 60 Hz
 Power consumption : 60 W
 EMI / EMC : FCC part 15

Environmental Conditions
 Operating temperature : 32° to 122° (0 °C to +50 °C)
 Storage temperature : -22° (-30 °C to +70 °C)
 Humidity : 10 % to 85 %
 Altitude : 0 to 45 000 feet
 Shock : 30 G, 11 ms
 Vibration : MIL-STD 810E
 Non-reflective coating glass: 92%
 Front panel protection : IP65

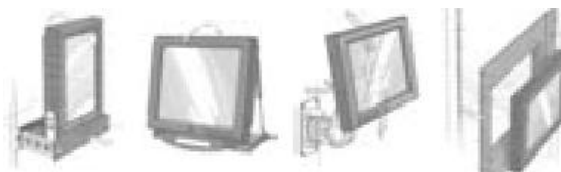
Options
 TV input (C-VBS) : 1 additional Cinch connector
 TV input (S-VHS) : 1 additional mini-DIN connector
 Glass : resistive touch screen
 Rear casing : removable cover for cables

Customization
 Specific integrated power supply (MIL-STD 461D)
 IP63 or total, waterproof configuration

Warranty 1 year (extendable to 3 and 5 years)



Available in other monitor sizes and can be adapted to fit the model shown



20" LCD monitor / 4020UX

Base P/N	Power Options	Touchscreen Options	Touchscreen Interface	
4020UX	0A	-	00	A
(example)	1A	-	30	B
	2A	-	31	
	3E	-	32	
	4A	-	33	
	5A			

Power Options

0A	delivered
1A	12 VDC input on lockable connector; external power supply 12 VDC / XX watts (per datasheet) / 115-230 VAC / 50-60 Hz
2A	115-230 VAC input / 50-60 Hz on lockable connector
3E	115-230 VAC input / 400 Hz on lockable connector
4A	18-36 VDC input on lockable connector
5A	28 VDC AIR2021E input on lockable connector

Touchscreen Options

00	None
30	Resistive
31	Capacitive
32	SAW
33	IR

Touchscreen Interface

A	Serial
B	USB

Example

4020UX-1A-30B

Base Part Number

4020UX: 20.1" display with SXGA native resolution

Power Option

-1A: 12 VDC input on lockable connector; external power supply 12 VDC / XX watts (per datasheet) / 115-230 VAC / 50-60 Hz

Touchscreen Option

-30B: Resistive touch sensor, USB interface