

MILCOTS™ 21" LCD monitor / 4021UX

For Industrial and Sheltered Applications



4021UX model

Traffic control

Supervision

Geographic imaging

Mobile IT

Information

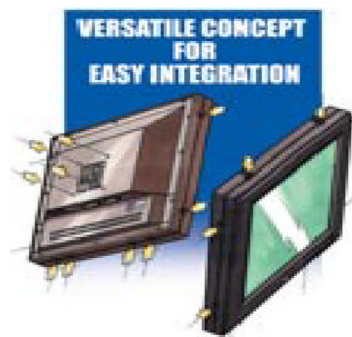
and Command System

Key points

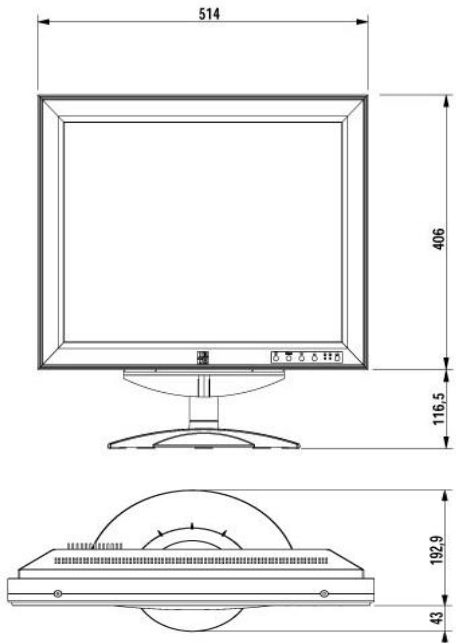
- Quality display (high contrast ratio)
- Lock / cancel OSD
- Remote control
- Non-reflective coated glass, optical quality 92%
- Waterproof mounting
- Durable aluminum packaging (shock and vibration resistant)
- Typical product availability: 8 to 10 years

Options

- Fully waterproof
- Brightness tuning from 100 to 5% (dimming)
- Touch screen
- Adapted non-reflective coated glass
- EMC casing
- Custom colors



21" LCD monitor / 4021UX



Display module	Color active matrix TFT 21.3"
Resolution :	1600 x 1200
Brightness :	250 cd/m ²
Contrast ratio :	400:1
Dot pitch :	0.270 mm
Viewing angle :	160°/160°
Response time :	20 msec
Display color :	16.7M
Active display area :	432 mm x 324 mm
Input signals	
Connectors :	DB15 HD
Analogic :	RGB 0,7Vp-p / 75 Ohms
Synchronisation :	H/V separated (TTL) - composite - sync on green
Synchronisation range :	H : 30 KHz to 100 KHz - V : 50 Hz to 100 Hz

Controls	
On Screen Display :	waterproof front panel keyboard
Remote control :	1 RS232 port

Physical features	
Monitor dimensions :	514 mm (W) x 406 mm (H) x 74,5 mm (D)
Moniteur weight :	19.8 lbs
Standard color :	RAL 101 (black)
Mechanical standard :	VESA 100

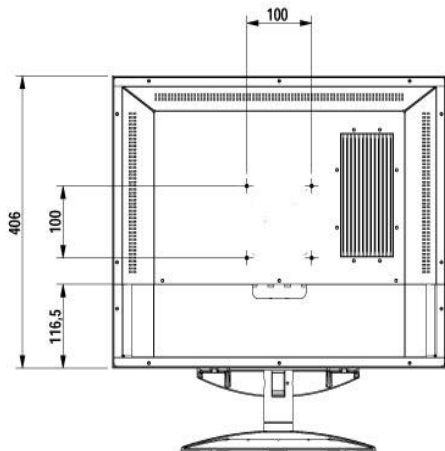
Electrical features (4021UX-1A model)	
Power supply :	external 12 Vdc / 70 W / 115-230 Vac, 50 - 60 Hz
Power consumption :	60 W
EMI / EMC :	FCC part 15

Environmental Conditions	
Operating temperature :	0°C to +50°C
Storage temperature :	-30°C to +70°C
Humidity :	10% to 85%
Altitude :	0 to 45000 feet
Shock :	30 G, 11 ms
Vibration :	MIL-STD 810E
Non-reflective coating glass :	92%
Front panel protection :	NEMA 4

Options	
TV input (C-VBS) :	1 additional Cinch connector
TV input (S-VHS) :	1 additional mini-DIN connector
Glass :	surface wave touch screen resistive touch screen
Rear casing :	removable cover for cables
Backlight :	on site backlight replacement

Customization	specific integrated power supply (MIL-STD 461D) IP63 or total waterproof configuration
----------------------	---

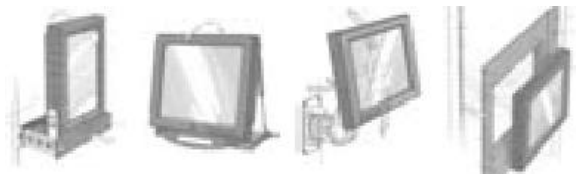
Warranty	1 year (extendable to 3 and 5 years)
-----------------	--------------------------------------



Mounting devices In stock standard or custom design



Available in other monitor sizes and can be adapted to fit the model shown



21" LCD monitor / 4021UX

Base P/N	Power Options	Touchscreen Options	Touchscreen Interface	
4021UX (example)	0A	-	00	A
	1A	-	30	B
	2A	-	31	
	3E	-	32	
	4A	-	33	
	5A			

Power Options

0A	delivered
1A	12 VDC input on lockable connector; external power supply 12 VDC / XX watts (per datasheet) / 115-230 VAC / 50-60 Hz
2A	115-230 VAC input / 50-60 Hz on lockable connector
3E	115-230 VAC input / 400 Hz on lockable connector
4A	18-36 VDC input on lockable connector
5A	28 VDC AIR2021E input on lockable connector

Touchscreen Options

00	None
30	Resistive
31	Capacitive
32	SAW
33	IR

Touchscreen Interface

A	Serial
B	USB

Example

4021UX-1A-30B

Base Part Number

4021UX: 21.3" display with SXGA native resolution

Power Option

-1A: 12 VDC input on lockable connector; external power supply 12 VDC / XX watts (per datasheet) / 115-230 VAC / 50-60 Hz

Touchscreen Option

-30B: Resistive touch sensor, USB interface