

MILCOTS™ 12" LCD monitor / 5112XG

Product range, for harsh environments



5112XG model

Water Proof Panel Mount

Naval Consoles

Offshore Applications

Shelters and Vehicles

Railway

Anti-Vandalism Display

Key points

- High quality display (high contrast ratio)
- Lock / cancel OSD
- Remote control
- Non-reflective coated glass, optical quality 92%
- Typical product availability: 8 to 10 years

Options

- Brightness tuning from 100 to 0% (dimming)
- Water-resistant housing
- Handles
- TV input (see video options)
- EMC/EMI. This range is available with several levels of protection and reinforcement from the standards required by the information technology industry to the military sector (MIL-STD)

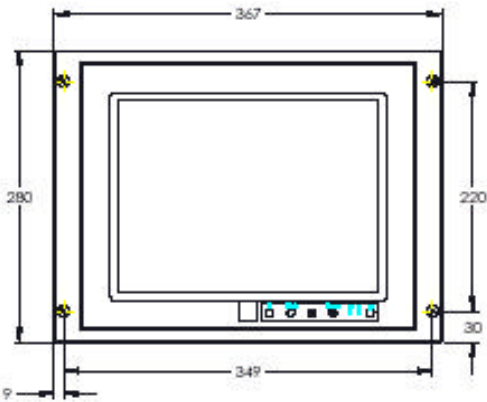
For operations in extreme conditions (shock, vibration, waterfall, seafog, very high or low ambient light conditions), MILCOTS's 5000 series displays is the right choice for field applications (ground, sea, railway transport), aboard vehicles or in shelter.

5000 series displays are available in:

- 12" XGA
- 17", 19" SXGA
- 20", 21" and 23" UXGA
- 24" WUXGA.
- 30" WQXGA

MILCOTS will design any custom packaging and mounting kit on request. MILCOTS will configure the 5000 series displays to meet your requirements (High bright, extended temperature, night vision...)

12" LCD monitor / 5112XG



Display module
 Resolution : 1024 x 768
 Brightness : 450 cd/m2
 Contrast ratio : 700:1
 Dot pitch : 0,214 mm
 Viewing angle : 160°/160°
 Response time : 25 msec
 Display color : 262K
 Active display area : 245.7 mm x 184.32 mm

Input signals (standard)
 Connectors : DB15 (VGA)

Controls
 On Screen Display: waterproof front panel matrix switch
 Remote control: 1 RS232 port

Physical Features
 Monitor dimensions : 367 mm (W) x 280 mm (H) x 84 mm (D)
 Monitor weight : 10 lbs
 Standard color : RAL 101 (black)

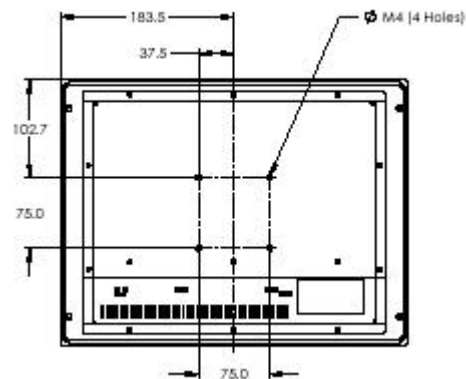
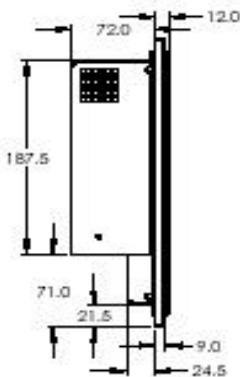
Electrical Features (5112XG-1A model)
 Power consumption : 20 W

Environmental Conditions (Standard)
 Operating temperature : 0°C to +50°C
 Storage temperature : -30°C to +70°C
 Humidity : 10% to 85%
 Altitude : 0 to 45000 feet
 Shock : 30 G, 11 ms
 Vibration : MIL STD 810E
 Non-reflective coating glass : 92%
 Front panel protection : NEMA 4



Options
 TV input (C-VBS) : 1 additional BNC connector
 TV input (S-VHS) : 1 additional mini-DIN connector
 Digital Input (DVI-D): 1 x DVI connector
 Touch Input Sensor: Resistive, Capacitive, SAW, IR
 EMI / EMC: MIL-STD-461
 Shock Performance: MIL-S-901D Heavyweight, Grade A, Hardmounted
 Extended Temperature Range: -35°C to +75°C (Storage)
 Cold Start: -20°C

Customization
 Environment (see ordering information table)
 IP63 aluminum casing



12" LCD monitor / 5112XG - Ordering Information

Base P/N	Power Options	Video Input Options	Touchscreen Options	Touchscreen Interface	Shock Performance			
5112XG (example)	0A	-	00	-	00	A	-	00
	1A	-	01	-	30	B	-	40
	2A	-	02	-	31			
	3D	-	03	-	32			
	3E	-	04	-	33			
	4A	-	05					
	5A	-	06					
	5D	-	07					
			08					
			09					
			10					
			11					
			12					
		13						

Power Options

0A	12 VDC input on HE308 connector; external power supply not delivered
1A	12 VDC input on lockable connector; external power supply 12 VDC / 50 Watts
2A	115-230 VAC input / 50-60 Hz on HE308 connector
3D	115-230 VAC input / 50-60 Hz on HE308 connector, MIL-STD-461
3E	115-230 VAC input / 400 Hz on HE308 connector
4A	18-36 VDC input on lockable connector
5A	28 VDC AIR2021E input on HE308 connector
5D	28 VDC AIR2021E input on HE308 connector, MIL-STD-461

Video Input Options

00	VGA on DB15 connector standard on all configurations
01	DVI-D on 1 x DVI
02	C-VBS on 1 X BNC
03	S-VHS on 1 x mini-DIN
04	RGB on 1 x HD15
05	Input Options: 00, 01, 02
06	Input Options: 00, 01, 03
07	Input Options: 00, 01, 04
08	Input Options: 00, 02, 03
09	Input Options: 00, 02, 04
10	Input Options: 00, 03, 04
11	Input Options: 00, 01, 02, 03
12	Input Options: 00, 01, 02, 03, 04
13	Sync-On-Green (SOG) on 3 x BNC

Touchscreen Options

00	None
30	Resistive
31	Capacitive
32	SAW
33	IR

Touchscreen Interface

A	Serial
B	USB

Shock Performance

00	Standard per datasheet specifications
40	MIL-S-901D Grade A Hardmounted

Example

5112XG-3D-02-30A-00

Base Part Number

5112XG: 12.1" display with XGA native resolution

Power Option

-3D: 115-230 VAC input / 50-60 Hz on HE308 connector, MIL-STD-461

Video Input Options

-02: VGA on 1DB15 and C-VBS on 1 x BNC

Touchscreen Option

-30A: Resistive touch sensor, serial interface

Shock Performance

-00: Standard per datasheet specifications

NOTE: default mounting hardware is 4 x M6 captive screw with self-sealing washer

NOTE: Extended Temperature versions are available on some displays, add a "-ET" suffix to the end of the part number. Please contact Milcots for availability.

Example (as above): 5112XG-3D-02-30A-00-ET