

MILCOTS™ 17" LCD monitor / 5117SX

Product range, for harsh environments



5117SX model

Waterproof Panel Mount

Naval Consoles

Offshore Applications

Shelters and Vehicles

Railway

Anti-Vandalism Display

Key points

- High quality display (high contrast ratio)
- Lock / cancel OSD
- Remote control
- Non-reflective coated glass, optical quality 92%
- Typical product availability: 8 to 10 years

Options

- Brightness tuning from 100 to 5% (dimming)
- Water-resistant housing (including rear housing)
- Handles
- TV input
- EMC/EMI. This range is available with several levels of protection and reinforcement from the standards required by the information technology industry to the military sector (MIL-STD)

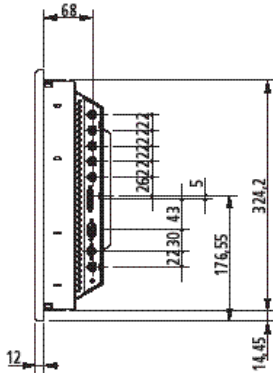
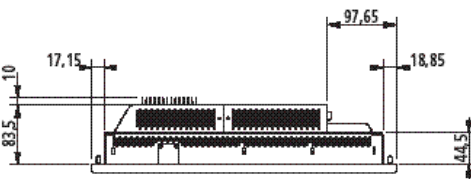
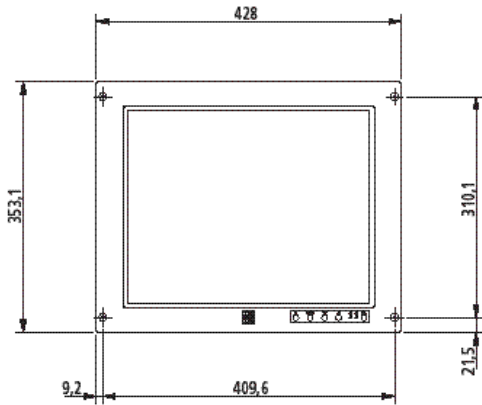
For operations in extreme conditions (shock, vibration, waterfall, seafog, very high or low ambient light conditions), MILCOTS's 5000 series displays is the right choice for field applications (ground, sea, railway transport), aboard vehicles or in shelter)

5000 series displays are available in:

- 15" XGA
- 17", 19" SXGA
- 20", 21" and 23" UXGA
- 24" WUXGA.
- 30" WQXGA

MILCOTS will design any custom packaging and mounting kit on request

17" LCD monitor / 5117SX



Display module

Resolution :	1280 x 1024
Brightness :	200 cd/m ²
Contrast ratio :	350:1
Dot pitch :	0,264 mm
Viewing angle :	160°/160°
Response time :	< 35 msec
Display color :	16.7M
Active display area :	337,9 mm x 270,3 mm

Input signals (standard)

Connectors :	BNC (x5)
Analogic :	RGB 0,7Vp-p / 75 Ohms
Synchronisation :	H/V separated (TTL) - composite - sync on green
Synchronisation range :	H : 30 KHz to 100 KHz - V : 50 Hz to 70 Hz

Controls

On Screen Display:	waterproof front panel matrix switch
Remote control:	1 RS232 port

Physical Features

Monitor dimensions :	428 mm (W) x 353,1 mm (H) x 105,5 mm (D)
Monitor weight :	16.3 lbs
Standard color :	RAL 101 (black)

Electrical Features (5117SX-1A model)

Power consumption :	35 W
---------------------	------

Environmental Conditions

Operating temperature :	0°C to +50°C
Storage temperature :	-30°C to +70°C
Humidity :	10% to 85%
Altitude :	0 to 45000 feet
Shock :	30 G, 11 ms
Vibration :	MIL STD 810E
Non-reflective coating glass :	92%
Front panel protection :	IP 65

Options

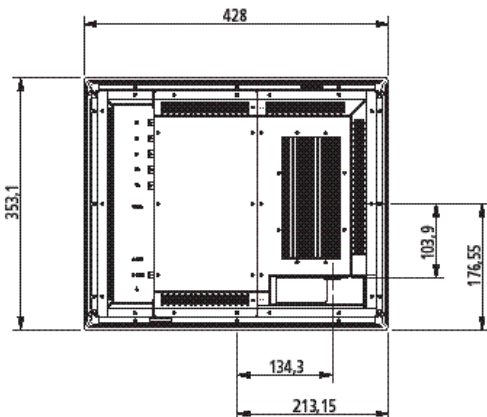
TV input (C-VBS) :	1 additional BNC connector
TV input (S-VHS) :	1 additional mini-DIN connector
Digital Input (DVI-D):	1 x DVI connector
Touch Input Sensor:	Resistive, Capacitive, SAW, IR
EMI / EMC:	MIL-STD-461
Shock Performance:	MIL-S-901D Heavyweight, Grade A, Hardmounted
Extended Temperature Range:	-35°C to +75°C (Storage)
Cold Start:	-20°C

Customization

Panel PC configurations
Shock Isolation kits
IP63 aluminum casing

Warranty

1 year (extendable to 3 and 5 years)



17" LCD monitor / 5117SX - Ordering Information

Base P/N	Power Options	Video Input Options	Touchscreen Options	Touchscreen Interface	Shock Performance			
5117SX (example)	0A	-	00	-	00	A	-	00
	1A	-	01	-	30	B	-	40
	2A	-	02	-	31			
	3D	-	03	-	32			
	3E	-	04	-	33			
	4A	-	05					
	5A	-	06					
	5D	-	07					
			08					
			09					
			10					
			11					
			12					
			13					

Power Options

0A	12 VDC input on HE308 connector; external power supply not delivered
1A	12 VDC input on lockable connector; external power supply 12 VDC / 100 Watts
2A	115-230 VAC input / 50-60 Hz on HE308 connector
3D	115-230 VAC input / 50-60 Hz on HE308 connector, MIL-STD-461
3E	115-230 VAC input / 400 Hz on HE308 connector
4A	18-36 VDC input on lockable connector
5A	28 VDC AIR2021E input on HE308 connector
5D	28 VDC AIR2021E input on HE308 connector, MIL-STD-461

Video Input Options

00	Standard: RGBHV on 5 x BNC included in all configurations
01	DVI-D on 1 x DVI
02	C-VBS on 1 X BNC
03	S-VHS on 1 x mini-DIN
04	RGB on 1 x HD15
05	Input Options: 00, 01, 02
06	Input Options: 00, 01, 03
07	Input Options: 00, 01, 04
08	Input Options: 00, 02, 03
09	Input Options: 00, 02, 04
10	Input Options: 00, 03, 04
11	Input Options: 00, 01, 02, 03
12	Input Options: 00, 01, 02, 03, 04
13	Sync-On-Green (SOG) on 3 x BNC

Touchscreen Options

00	None
30	Resistive
31	Capacitive
32	SAW
33	IR

Touchscreen Interface

A	Serial
B	USB

Shock Performance

00	Standard per datasheet specifications
40	MIL-S-901D Grade A Hardmounted

Example

5117SX-3D-02-30A-00

Base Part Number

5117SX: 17.0" display with SXGA native resolution

Power Option

-3D: 115-230 VAC input / 50-60 Hz on HE308 connector, MIL-STD-461

Video Input Options

-02: RGBHV on 5 x BNC and C-VBS on 1 x BNC

Touchscreen Option

-30A: Resistive touch sensor, serial interface

Shock Performance

-00: Standard per datasheet specifications

NOTE: default mounting hardware is 4 x M6 captive screw with self-sealing washer

NOTE: Extended Temperature versions are available on some displays, add a "-ET" suffix to the end of the part number. Please contact Milcots for availability.

Example (as above): 5117SX-3D-02-30A-00-ET