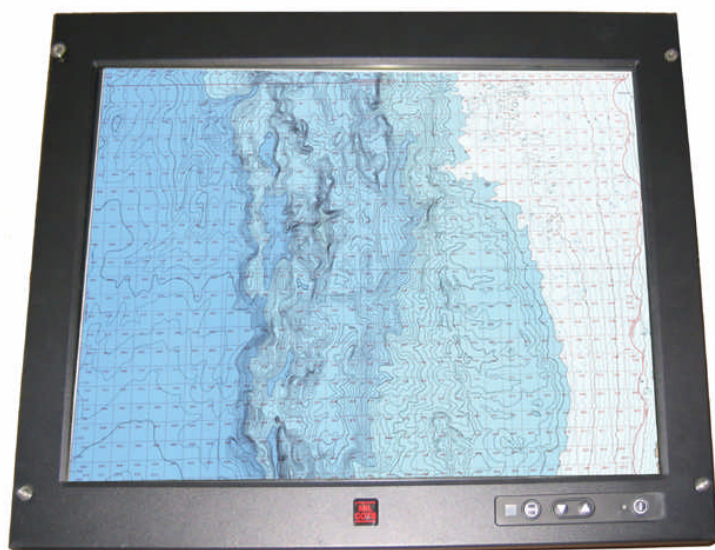


# MILCOTS™ 19" LCD monitor / 5919SX

## Product range, for harsh environments

T O T A L L Y   S E A L E D   -   I P 6 6   -   S H I P   D E C K   C O M P A T I B L E



5919SX model

19" Standard 9U Mounting

Naval Consoles

Offshore Applications

Shelters and Vehicles

Railway

Anti-Vandalism Display

### Key points

- High quality display (high contrast ratio)
- Water resistant housing
- Lock / cancel OSD
- Remote control
- Non-reflective coated glass, optical quality 92%
- Typical product availability: 8 to 10 years

### Options

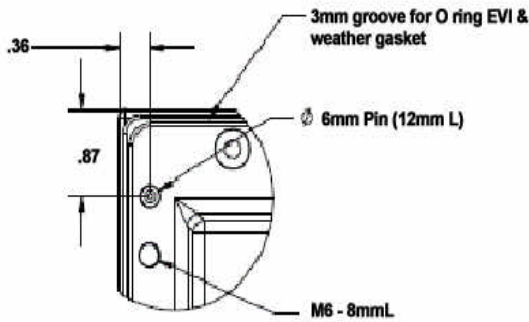
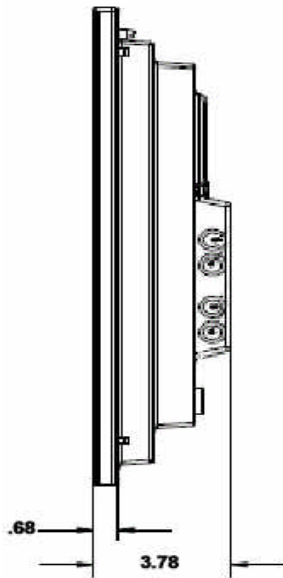
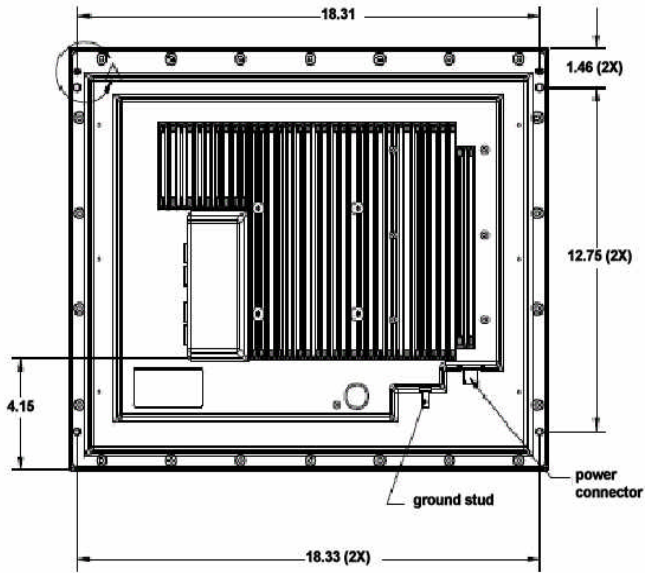
- Brightness tuning from 100 to 5% (dimming)
- Handles
- TV input
- EMC/EMI. This range is available with several levels of protection and reinforcement from the standards required by the information technology industry to the military sector (MIL-STD)

For operations in extreme conditions (shock, vibration, waterfall, seafog, very high or low ambient light conditions), MILCOTS's 5900 series displays is the right choice for field applications (ground, sea, railway transport), aboard vehicles or ships, including locations where water projection is frequent

5900 series displays are available in:  
19" SXGA  
20" UXGA

**MILCOTS will design any custom packaging and mounting kit on request**

# 19" LCD monitor / 5919SX



DETAIL A



<b>Display module</b>	Color active matrix TFT 19"
Resolution :	1280x 1024
Brightness :	300 cd/m2
Contrast ratio :	1000:1
Dot pitch :	0,294 mm
Viewing angle :	170°/170°
Response time :	8 msec
Display color :	16.7M
Active display area :	386,4 mm x 289,8 mm
<b>Input Signals</b>	
Connectors:	Waterproof DVI / HD15 or waterproof Fischer cylindrical connectors
Synchronisation:	H/V separated (TTL) – composite – sync on green
Synchronisation Range:	H: 30 KHz to 100 KHz - V: 50 Hz to 100 Hz
<b>Controls</b>	
On-Screen Display:	Front panel matrix switch
Remote Control:	Optional
<b>Physical Features</b>	
Monitor Dimensions:	19" (W) x 15.7" (H) x 3.78" (D) [19"/9U]
Monitor Weight:	21.6 lbs
Standard Color:	RAL 101 (black)
<b>Electrical Features</b>	
Power Consumption:	60 W
<b>Environmental Conditions</b>	
Operating Temperature:	0 °C to +50 °C
Storage Temperature:	-30 °C to +70 °C
Humidity:	10 % to 85 %
Altitude:	0 to 45 000 feet
Shock:	30 G, 11 ms
Vibration:	MIL-STD-810E
Protection :	IP66
<b>Options</b>	
TV Input (C-VBS):	Special pin out (*)
TV Input (S-VHS):	Special pin out (*)
Touch Input Sensor:	Resistive, Capacitive, SAW, IR
EMI / EMC:	MIL-STD-461
Shock Performance:	MIL-S-901D Heavyweight, Grade A, Hardmounted
Extended Temperature Range:	-35°C to +75°C (Storage)
Cold Start:	-20°C cold start
<b>Customization</b>	
	Panel PC configurations
	Shock Isolation and bulk mounting kits
<b>Warranty</b>	1 year (extendable to 3 and 5 years)

(\*) Contact Milcots for electrical I/O detail

# 19" LCD monitor / 5919SX - Ordering Information

Base P/N	Power Options	Video Input Options	Touchscreen Options	Touchscreen Interface	Shock Performance
5919SX (example)	0A	- 00	- 00	A	- 00
	1A	- 01	- 30	B	- 40
	2A	- 02	- 31		
	3D	- 03	- 32		
	3E	- 04	- 33		
	4A	- 05			
	5A	- 06			
	5D	- 07			
		08			
		09			
		10			
		11			
		12			
		13			

## Power Options

2A	115-230 VAC input / 50-60 Hz on HE308 connector
3D	115-230 VAC input / 50-60 Hz on HE308 connector, MIL-STD-461
3E	115-230 VAC input / 400 Hz on HE308 connector
4A	18-36 VDC input on lockable connector
5A	28 VDC AIR2021E input on HE308 connector
5D	28 VDC AIR2021E input on HE308 connector, MIL-STD-461

## Video Input Options

01	DVI-D on 1 waterproof SUB-D
02	DVI-D on Fischer Cylindrical connectors
03	S-VHS + DVI - D on Fischer Cylindrical connectors
04	RGB on 1 x waterproof HD 15
05	DVI-D + + C-VBS on Fischer cylindrical connectors
06	DVI-D + RGB on Fischer cylindrical connectors

## Touchscreen Options

00	None
30	Resistive
31	Capacitive
32	SAW
33	IR

## Touchscreen Interface

A	Serial
B	USB

## Shock Performance

00	Standard per datasheet specifications
40	MIL-S-901D Grade A Hardmounted

## Example

**5919SX-3D-02-30A-00**

## Base Part Number

**5919SX:** 19" display with SXGA native resolution

## Power Option

**-3D:** 115-230 VAC input / 50-60 Hz on HE308 connector, MIL-STD-461

## Video Input Options

**-02:** DVI-D on Fischer Cylindrical connectors

## Touchscreen Option

**-30A:** Resistive touch sensor, serial interface

## Shock Performance

**-00:** Standard per datasheet specifications

**NOTE:** default mounting hardware is 4 x M6 captive screw with self-sealing washer